



VOZROZHDENIE LLC

OKPD 2 27.90.40.190

TU 27.90.40-001-33120038-2018

APPROVED

VZR.248100.000 AS

**SWING GATE
MODEL K-14**

**VZR.248100.000 RE
OPERATION MANUAL**

27 pages

2019

CONTENTS

1	PRODUCT DESCRIPTION AND OPERATION	4
1.1	Product description and operation	4
1.2	Indication panel of the product.....	8
2	INTENDED USE	9
2.1	Operation limitations.....	9
2.2	The product preparation for installation	10
2.4	Actions in extreme conditions	13
3	MAINTENANCE	14
3.1	General instructions.....	14
3.2	Safety measures	15
3.3	Procedure for the product maintenance.....	15
3.4	Visual inspection of the product.....	15
3.5	Check of the product components	16
3.6	Check of the product performance.....	16
4	MINOR REPAIR	17
4.1	Minor repair of the product.....	17
4.2	Minor repair of the product components	17
4.3	Malfunctions during the warranty period	18
5	STORAGE	19
6	TRANSPORTATION.....	20
7	UTILIZATION.....	21
	APPENDIX A — distributors and service centers.....	22
	ABBREVIATIONS	23

This Operation Manual (OP) is applied to Oxgard K-14 swing gate and its variants (hereinafter referred to as Product).

The manufacturer reserves the right to change equipment, technical specifications and appearance of the product without notice.

Before using the product, it is necessary to additionally read VZR.248100.000 DTS.

This Operation Manual is a document certifying basic parameters and characteristics of the product guaranteed by manufacturer.

This Operation Manual intended for studying principle of operation, structure and design of the product for proper operation, ensuring full use of technical capabilities and maintaining permanent readiness for operation.

1 PRODUCT DESCRIPTION AND OPERATION

1.1 Product description and operation

1.1.1 Oxgard K-14 motorized swing gate is designed for control of access and flow of people.

The product can be used at entrance of enterprises, organizations and banks, educational institutions, sports and entertainment facilities, shops, train stations and other institutions.

1.1.2 The product structure is shown in Table 1.

Table 1 – The product structure

Designation of the product	Name of the product	Quantity	Note
swing gate	K-14	1	
Control panel	Praktika universal control panel	1	
Power supply unit*	Power supply unit		
Fence section kit *	Praktika fence		



Note-Parts of the product marked with (*) are delivered optionally.

1.1.3 The product technical specifications are given in Table 2

Table 2 – Technical specifications

Name of parameter	Value
Dimensions (WxHxL) for passage width, mm: - 600 mm - 900 mm - 1000 mm - 1200 mm	820x1140x159 1120x1140x159 1220x1140x159 1420x1140x159
Weight, kg for passage width, mm: - 600 mm - 900 mm - 1000 mm - 1200 mm	50.0 56.0 58.0 62.0
Range of ambient temperatures, °C: - operation - transportation and storage	+1...+40 +1...+40
Relative humidity, %, not more than	80
Width of formed passage, mm	600-1200
Throughput capacity, person/ min	12
Service life, years	8
Supply voltage (DC), V: - nominal - working	24.0 19.0...29.0
Average current at standby mode*, A	0.4
Average current at operation mode*, A	2.0
Maximum current consumption*, A	5.0



Note - * current values are given for nominal supply voltage

1.1.4 The product structure.

All component of the gate are made of polished stainless steel, the gate leaf is made of tempered glass.

The gate includes a fixed stand with housing, cup for fastening to the floor, indication panel, rotary upper housing with electric drive and glass leaf.

The gate leaf can turn within 180° ($+90^{\circ}$ - -90°).

Figure 1-General view of the fence gate.

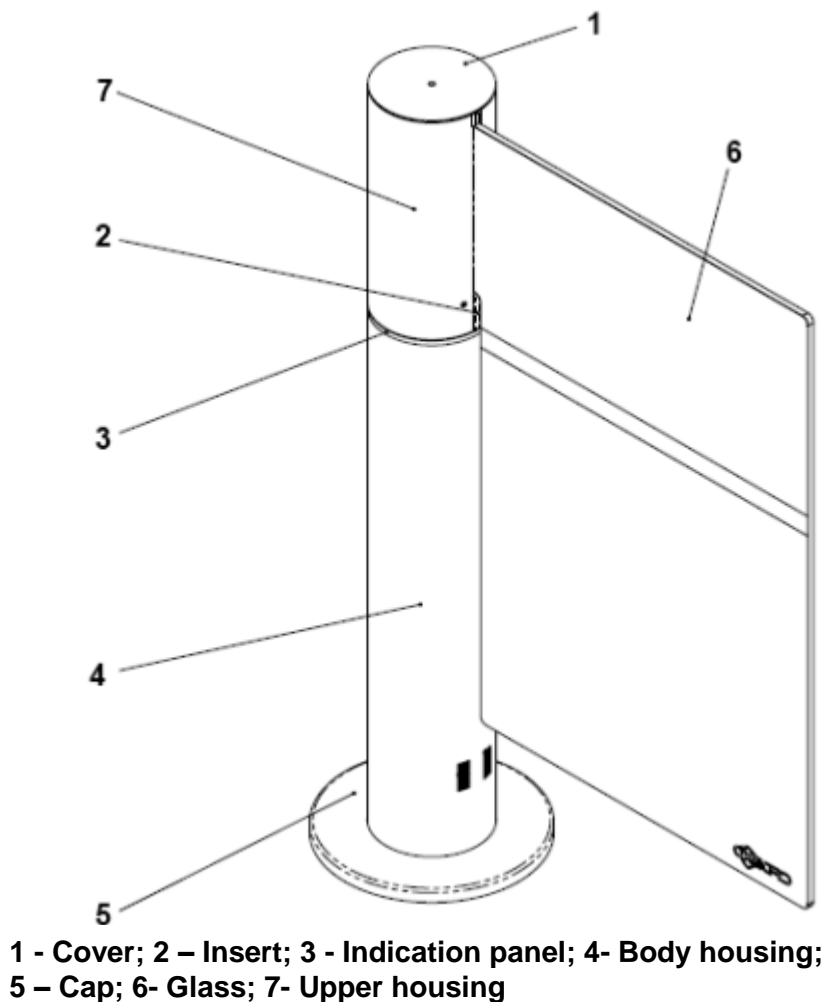


Figure 1-General view of the fence gate.

1.1.5 Overall dimensions.

Figure 2 - Overall dimensions of the gate for passage width of 600 mm.

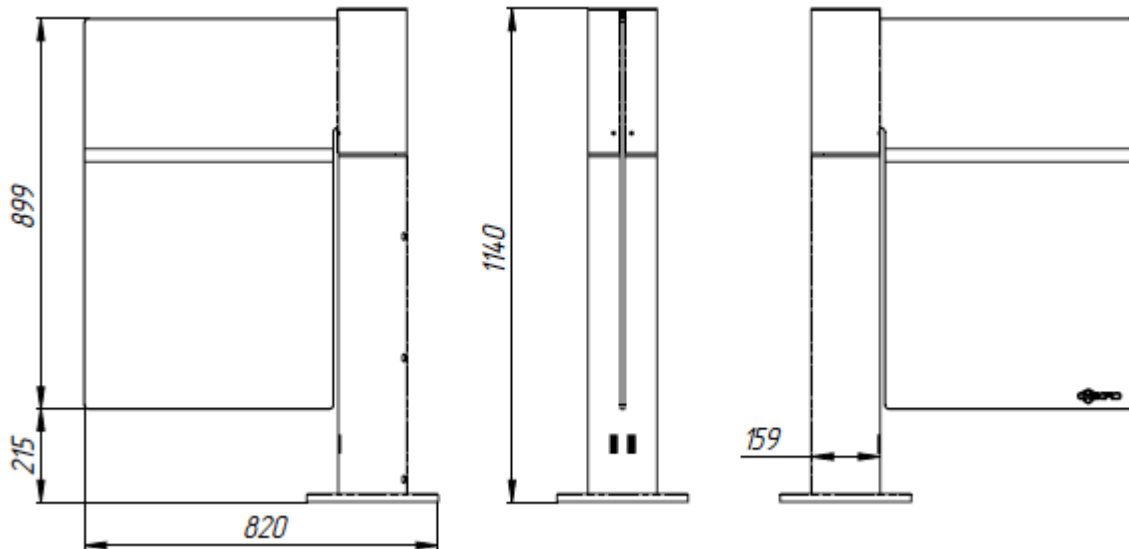


Figure 2 - Overall dimensions of the gate for passage width of 600 mm

1.1.6 The marking contains manufacturer's trademark, designation, serial number.

1.1.7 Overall dimensions of packaging.

Overall dimensions of the gate with glass, mm:

- 1) Gate with passage width of 600 mm – 1035x775x185;
- 2) Gate with passage width of 900 mm – 1035x1075x185;
- 3) Gate with passage width of 1000 mm – 1035x1175x185;
- 4) Gate with passage width of 1200 mm – 1035x1375x185.

1.2 Indication panel of the product

The gate has a tri-color light indication (Figure 1-3, indication panel):

- 1) Green - passing allowed (leaf is open);
- 2) Red - passing prohibited (leaf is closed);
- 3) Yellow - mode of power initialization (when power is being supplied).

2 INTENDED USE

2.1 Operation limitations



ATTENTION: FAILURE TO COMPLY WITH THE SAFETY REQUIREMENTS SPECIFIED IN THIS SECTION MAY RESULT IN DEATH AND DAMAGE TO HEALTH, COMPLETE OR PARTIAL LOSS OF PERFORMANCE OF THE PRODUCT AND (OR) AUXILIARY EQUIPMENT.



ATTENTION: INSTALLATION OF A PRODUCT SHOULD BE CARRIED OUT BY QUALIFIED PERSONNEL ACCORDING TO THE INSTALLATION MANUAL.



ATTENTION: MANUFACTURER DISCLAIMS ANY LIABILITY FOR DEATH AND DAMAGE TO HEALTH, COMPLETE OR PARTIAL LOSS OF PERFORMANCE OF THE PRODUCT AND (OR) AUXILIARY EQUIPMENT IF USER FAILS TO COMPLY WITH SAFETY REQUIREMENTS SPECIFIED IN THIS SECTION, AND ALSO WILL VOID YOUR WARRANTY ON THE PRODUCT.

**IT IS PROHIBITED TO:**

INSTALL POWER SUPPLY UNIT INSIDE THE PRODUCT, AS IT MAY CAUSE ELECTRIC SHOCK TO PEOPLE.

INSTALL THE PRODUCT OUTSIDE DRY AND HEATED ROOMS.

PREVENT OR ACCELERATE THE MOVEMENT OF THE PRODUCT LEAF DURING SWITCHING ON (OFF) ANTI-PANIC MODE - AP.

APPLY FOR THE PRODUCT CLEANING PASTES AND LIQUIDS CHEMICALLY AGGRESSIVE TO MATERIALS OF HOUSING.

2.2 The product preparation for installation

2.2.1 Safety measures at the product preparation for installation



ATTENTION: TO AVOID INJURY AND THE PRODUCT LOCKING, BEFORE CONNECTING THE PRODUCT MAKE AREA FOR THE LEAF ROTATION FREE FROM PEOPLE AND FOREIGN THINGS.

2.2.2 Rules and procedure for the product visual inspection

Visual inspection of the product before power supply switching on is obligatory and should include the following:

- 1) checking absence of mechanical damages of the product housing: cracks, through apertures of dropped fastener;
- 2) careful visual inspection of all product connections.

2.2.3 Starting the product.

Connect PSU to power supply ~220 volts and turn on. When switched on, indication panel lights up in yellow, then the product leaf shifts to the extreme position, and then returns to closed (home) position (at that indication panel is red – stop mode). The product is ready to work.

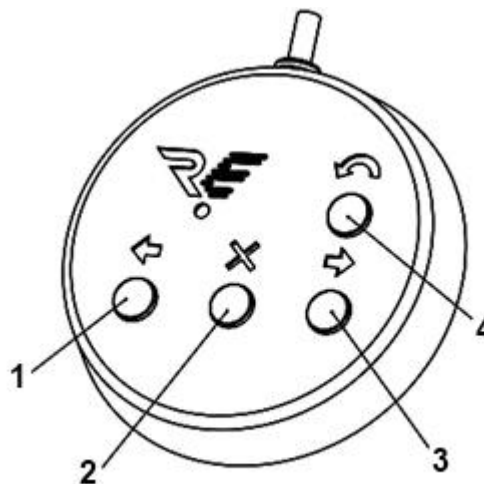
2.2.4 Settings of control panel

Figure 3 – appearance of control panel. The product can be installed differently relative to user. In some cases, it is necessary to swap passage buttons left / right. It can be done by using the following operations:

- 1) Turn on power supply of the product;
- 2) Press and hold the **left** (1) and **right** (3) buttons until the LEDs on the **left** (1) and **right** (3) buttons flash. Turn on power supply of the product;
- 3) Press and release **stop** button (2);
- 4) Press and release **left** button (1).

Now when you press left button, passing to the right will be allowed and vice versa. Current button assignment is remembered and is not reset when the power is turned off. To return to the original version, it should be necessary to repeat the above sequence of actions.

Figure 3 - control buttons 1 (left), 2 (stop), 3 (right), 4 (anti-panic) and LED indicators of product operation modes.



1 - left; 2 – stop; 3 - right; 4- anti-panic

Figure 3 – Appearance of control panel

2.3.1 Operation of the product

Modes of the product operation

The product can work on several operation modes. Entering necessary mode is carried out by means of control panel or ACS. Operation modes are indicated on the panel in the form of mnemonic signs which means permission and prohibition to pass. Work of the product with ACS is described in IM.

2.3.2 The product control using control panel

Figure 3 - above each button of the product.

Stop mode

Stop mode is set when the product is turned on. Transition from another mode to Stop mode is carried out using Button 2, at that, LED indicator above the Button 2 lights up red. In this mode, passing in both directions is prohibited.

The gate glass can be deflected from the initial position by a small angle, within 5 degrees.

Single pass mode

Button 1 (3) activates single pass mode to the left (right). When this mode is enabled, single pass to the left (right) will be allowed, after that the gate transfer to Stop mode. An arrow on indication panel shows free passage to the left (right).

LED indicator of control panel above the button towards which passing is permitted lights green and LED indicator above button 2 lights red. If the person has is not completed passing within 10 seconds, the product automatically enters Stop mode.

Anti-Panic Mode

Entering this mode is possible from any mode by pressing button 4.

LED indicator of control panel above button 4 will light yellow. Green LEDs will blink on indication panel.

2.4 Actions in extreme conditions

For emergency opening of the passage, use Anti-Panic mode: in this mode, the product leaf will be opened, and passage will be free.



ATTENTION: WHEN USING THE PRODUCT, PAY ATTENTION TO ELECTRICAL CIRCUITS THAT CAN BE A SOURCE OF FIRE DANGER IN CASE OF SHORT CIRCUIT, BREAKDOWN OF INSULATION AND SPARKING.

In the case fire, external power supply should be switched off. To extinguish fire arose in the product, wiring and cables use powder fire extinguishers.

3 MAINTENANCE

3.1 General instructions

Maintenance of the product should be carried out in accordance with this Operation Manual.

3.1.1 During operation, in order to maintain performance and ensure design life of the product, it is necessary to periodically carry out maintenance of the product, including maintenance within warranty period.

3.1.2 Carry out regular maintenance 1 time a year. In case of malfunctions, it maintenance should be carried out immediately after troubleshooting.

3.1.3 We recommend conducting maintenance by team of two persons, qualified mechanic and electrical engineer (or electrician) with rank not lower than 3, familiarized with this Operation Manual.

3.2 Safety measures

When carrying out maintenance operation, observe safety measures. Maintenance should be carried out by specially trained technical personnel.



IT IS FORBIDDEN TO:

CARRY OUT WORK WITH TURNED ON POWER SUPPLY OF THE PRODUCT. FAILURE TO COMPLY WITH THESE SAFETY REQUIREMENTS MAY RESULT IN DEATH AND DAMAGE TO HEALTH, COMPLETE OR PARTIAL LOSS OF PERFORMANCE OF THE PRODUCT AND (OR) AND/OR AUXILIARY EQUIPMENT.

REMOVE ELECTRICAL BOARD FROM THE MOUNTS. OTHERWISE, MANUFACTURER TERMINATES WARRANTY ON THE PRODUCT.

3.3 Procedure for the product maintenance

Maintenance includes the following scope of work:

- 1) visual inspection of the product condition;
- 2) check of fastening of parts and units of a product;
- 3) general check of the product operation.

3.4 Visual inspection of the product

3.4.1 Perform visual inspection of the product. The product should not have visible damages.

3.5 Check of the product components

3.5.1 Clean load-bearing frame of dirt.

3.5.2 Check all cables fastening.

3.5.3 Check and, if necessary, tighten threaded connections of the fastening units of the product.

3.6 Check of the product performance

Check the product operation by making several test cycles.

If any extraneous noise and violations of operation modes are not found, the product is ready for operation.

In case of detection during the product maintenance of any defects of its components, it is recommended to contact the service center for advice.

List of addresses of authorized distributors and service centers is given in Appendix A and is available on the website: www.oxgard.ru

4 MINOR REPAIR

4.1 Minor repair of the product

Minor repair of the product is not provided. If any of malfunctions listed in Table 3 occur, take the following actions.

Table 3 – Typical malfunctions of the product

Malfunctions	Action
PSU is connected, but the product does not work	Check correctness of cables connection; Check the fuse on the cross board.
Control panel does not work	Check correctness of control panel connection; If +24 voltage and GND terminals are connected correctly, try swapping CL and CH.

In the case of other malfunctions contact customer service.

4.2 Minor repair of the product components

Minor repair of the product components should be carried out by replacement of faulty parts with obviously serviceable.

At impossibility of replacement or absence of obviously serviceable components, the product shall be repaired at the manufacturer's.

4.3 Malfunctions during the warranty period

If any malfunction occurred within the warranty period (VZR.248100.000 DTS Product status record), it is necessary to send a claim to the manufacturer. This requires:

- 1) drawing up a technically substantiated Act of claim;
- 2) making extracts from the section of Datasheet - "Repairs";
- 3) making extracts from the section of Datasheet - "Preservation".

5 STORAGE

The product should be stored in dry (without condensation) heated room at temperature from +1 to + 40°C. There should not be vapors of acids, alkalis and gases that cause corrosion in the storage room.

Short-term storage (no more than 3 days) of the product in original packaging in dry unheated rooms, closed bodies of transport is allowed.

After storage in unheated rooms, before commissioning, the product should be held in a room with normal climatic conditions for 12 hours.

6 TRANSPORTATION

The product in the original packaging can be transported without limiting the range by air, paved roads and rail transport provided it is protected against direct exposure to precipitation and dust.

While transporting and storing goods on Euro-pallets, stacked boxes in 2 rows are allowed.

Loading and unloading operations should be carried out in compliance with safety regulations.

7 UTILIZATION

The product together with its component parts should be utilized at the end of its service life.

Examples of utilization can be disassembly (dismantling) of the product and separation of its components into homogeneous groups, use for training purposes, use not for its intended purpose.

APPENDIX A — DISTRIBUTORS AND SERVICE CENTERS

Lists of authorized distributors and service centers are given in Table 4 and are permanently updated. For the recent information see website www.oxgard.com.

Table 4– Foreign distributors and service centers

No.	Company	Contacts	State
1	VZR System OU	Tulika tn 19, Tallinn 372 5844 4957 8 921 996 2746 www.vzrsystem.ee info@vzrsystem.ee	Distributor Warehouse
2	VZR System OU	Hofer Str. 39 95183 Feilitzsch-Zedtwitz Deutschland 372 5844 4957 8 921 996 2746 49 9281 140 11 65 49 928 1 140 11 16 www.multitrans.net ksemjonow@multitrans.net ue@multitrans.net	Distributor Warehouse
3	LLC "TD INTANT"	Republic of Kazakhstan, Almaty, Muratbaeva str., 61 7 (727) 225–35–35 7 (727) 220–95–31 www. security.intant.kz intant@intant.net	Dealer Warehouse
4	«A+A Security» MMC	AZ1110, Azerbaijan, Baku city, Akhmad Bay Aga oglu str. 24B 8 (+994 12) 496-00-56 www.aasecurity.az info@aplusa-security.com	Dealer
5	Victiana S.R.L. (Vidosecurity Moldova)	The Republic of Moldova, Kishinev, Hajdeu str., 66/3 373 (22) 876-000 373 (22) 876-001 www.videosecurity.md info@videosecurity.md	Dealer
6	Unitary enterprise "Security and Safety Systems"	Minsk, Petra Glebki str., 1 375 (17) 390-66-66 (multi-channel) Моб.: +375 (33) 340-11-11 (МТС) www.sob.by info@sob.by	Dealer Service center
7	OÜ Almasel	Shouldamäe tee 102-106 Tallinn Harjumaa 12917 Tel +372 59192909 info@almasel.com	Service center

ABBREVIATIONS

Following abbreviations are used in this document:

DTS - Datasheet;

OP — Operation manual;

IM — Installation Guidelines;

PSU — power supply unit;

PU — control panel;

ACS — access control system.

Vozrozhdenie LLC
192289 St.-Petersburg
Sofiyskaya str., 66
Telephone/ Fax +7 (812) 366 15 94
www.oxgard.com
info@oxgard.com

